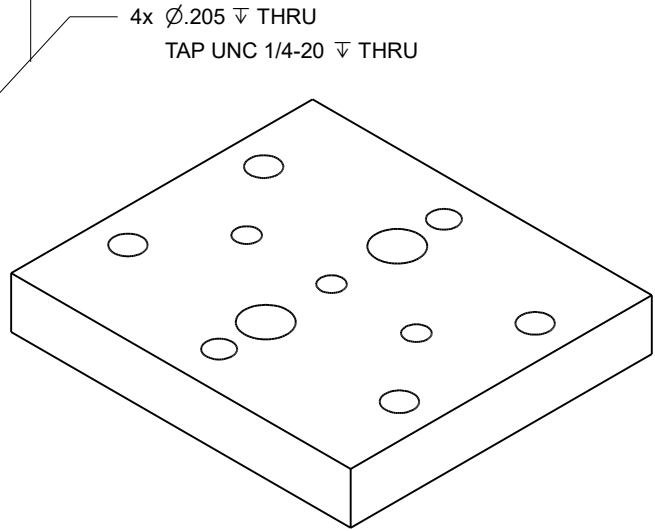
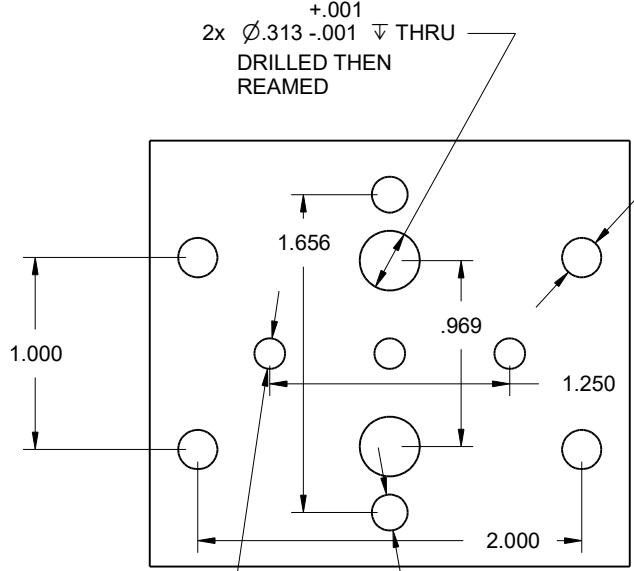




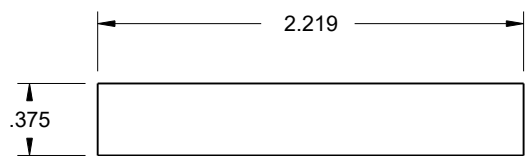
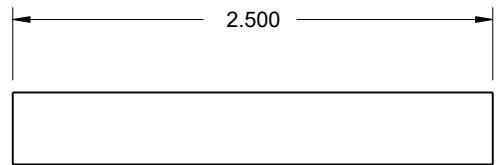
REVISIONS				
ZONE	REV	DESCRIPTION	DATE	APPROVED



4x Ø.205 THRU
TAP UNC 1/4-20 THRU

3x Ø.160 THRU
TAP UNF 10-32 THRU

2x Ø.188 THRU



	DRAWN	DATE	Aluminum			
		04/02/22				
	CHECKED		UPlate			
QA						
	MFG		SIZE	FSCM NO.	DWG NO.	REV
	APPROVED		A		040222	
			SCALE	1:1	SHEET	1 OF 1

